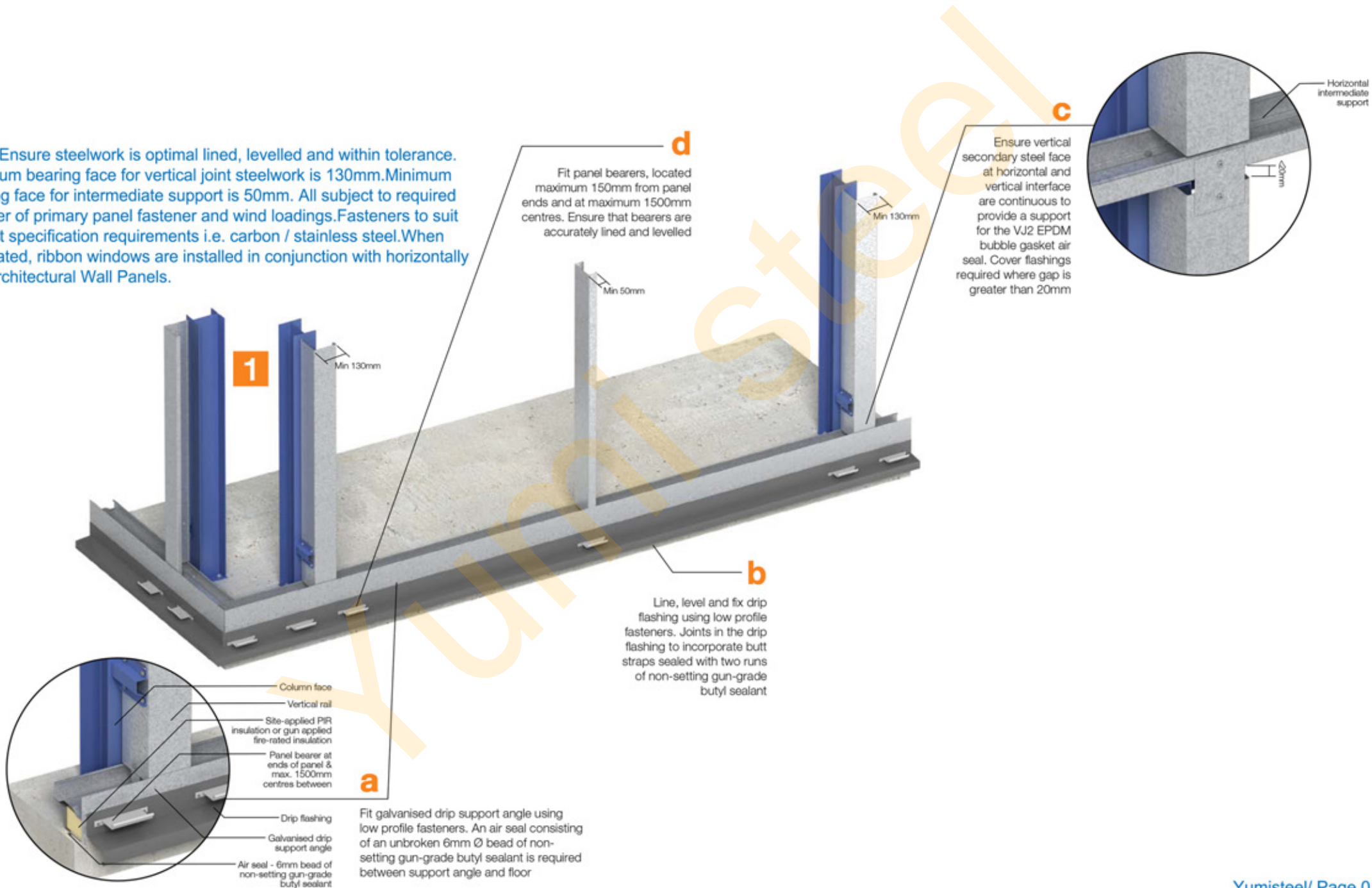
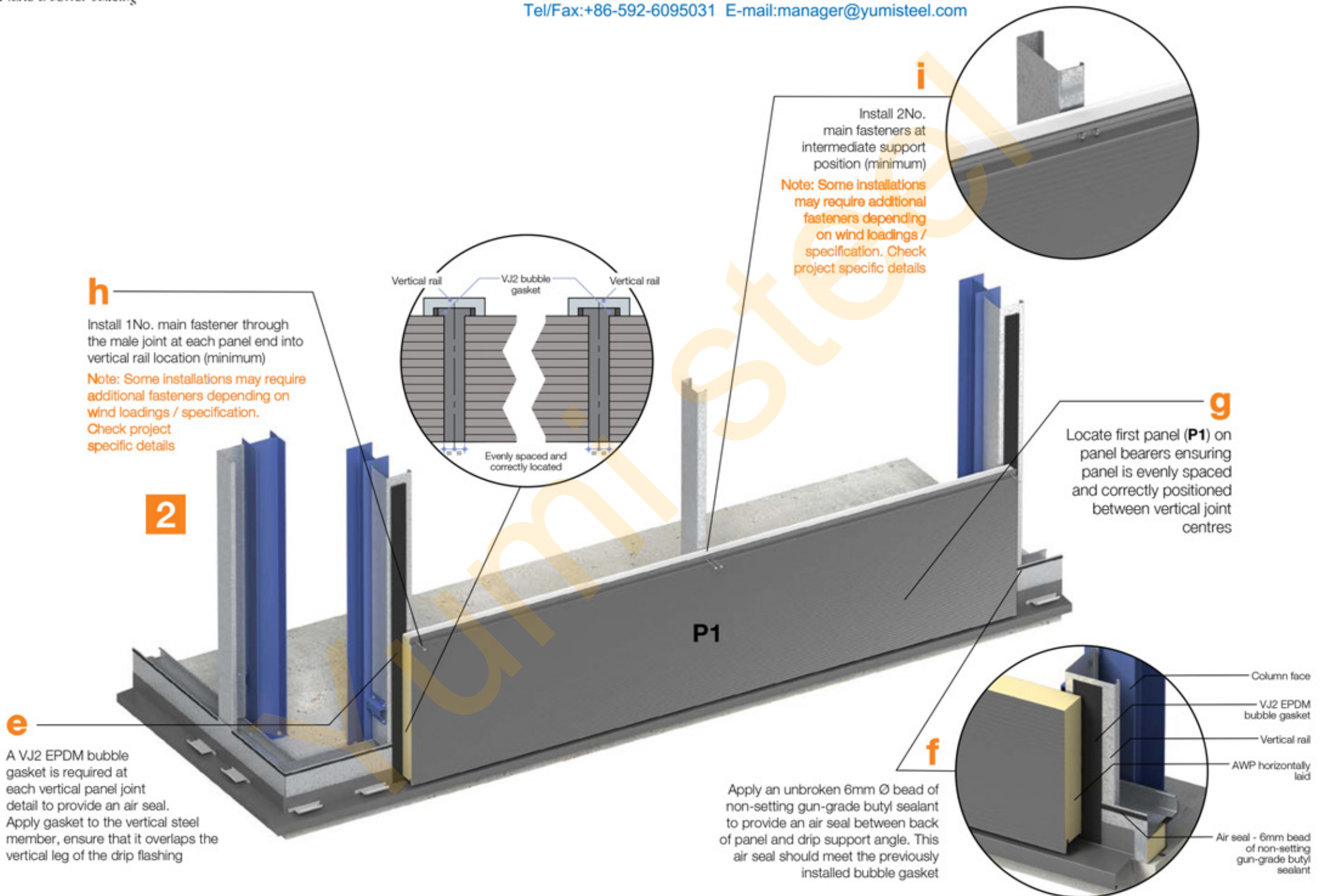


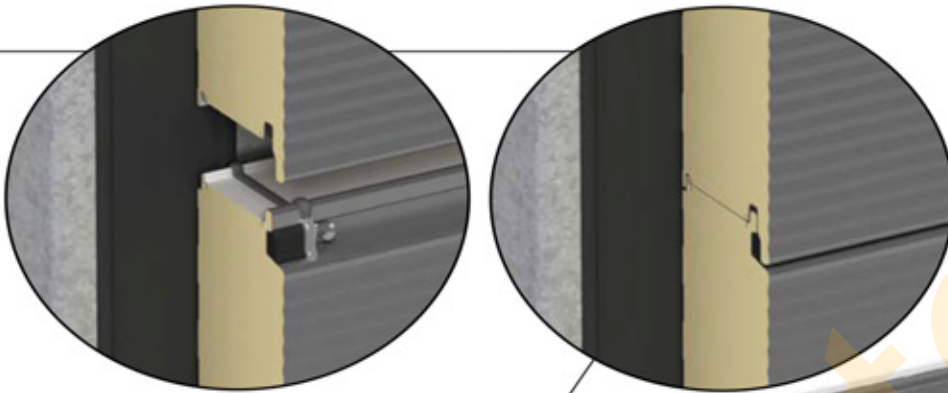
Note: Ensure steelwork is optimal lined, levelled and within tolerance. Minimum bearing face for vertical joint steelwork is 130mm. Minimum bearing face for intermediate support is 50mm. All subject to required number of primary panel fastener and wind loadings. Fasteners to suit project specification requirements i.e. carbon / stainless steel. When integrated, ribbon windows are installed in conjunction with horizontally laid Architectural Wall Panels.



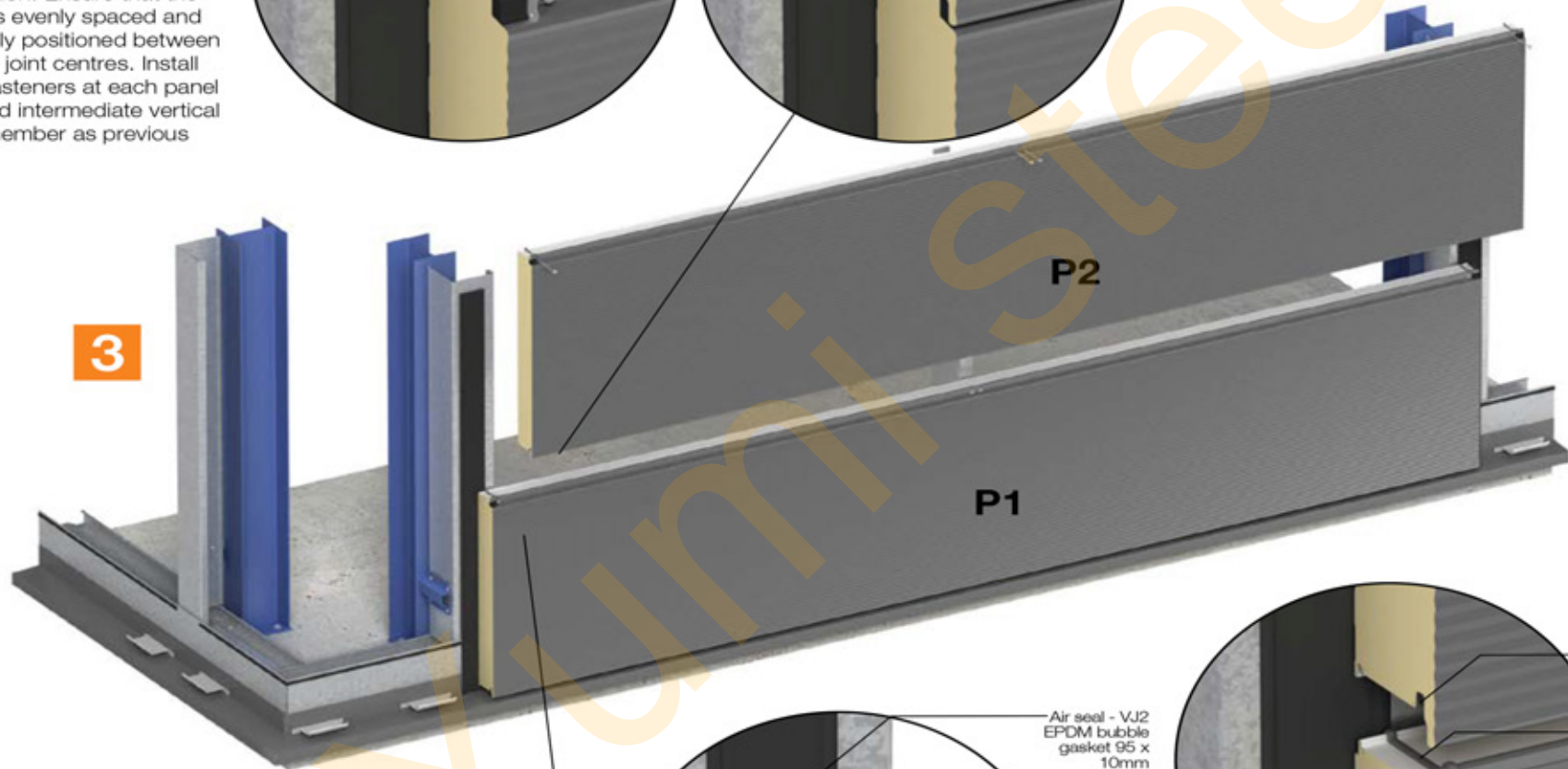


k

Lower the next panel (**P2**) into position ensuring that the factory-applied weather seal is compressed and that the AWP filler remains in position. Ensure that the panel is evenly spaced and correctly positioned between vertical joint centres. Install main fasteners at each panel end and intermediate vertical steel member as previous

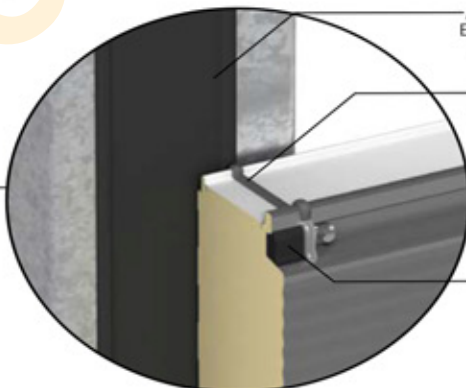


3



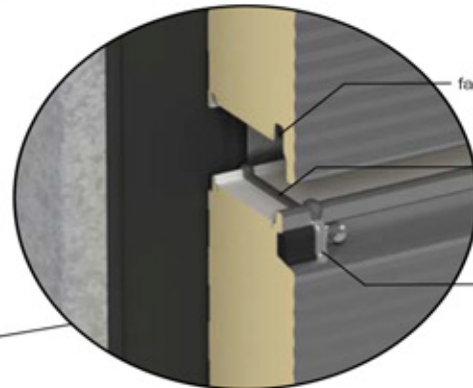
j

Bed an AWP filler in silicone sealant at panel ends, and run a non-setting gun-grade butyl sealant air seal across male joint

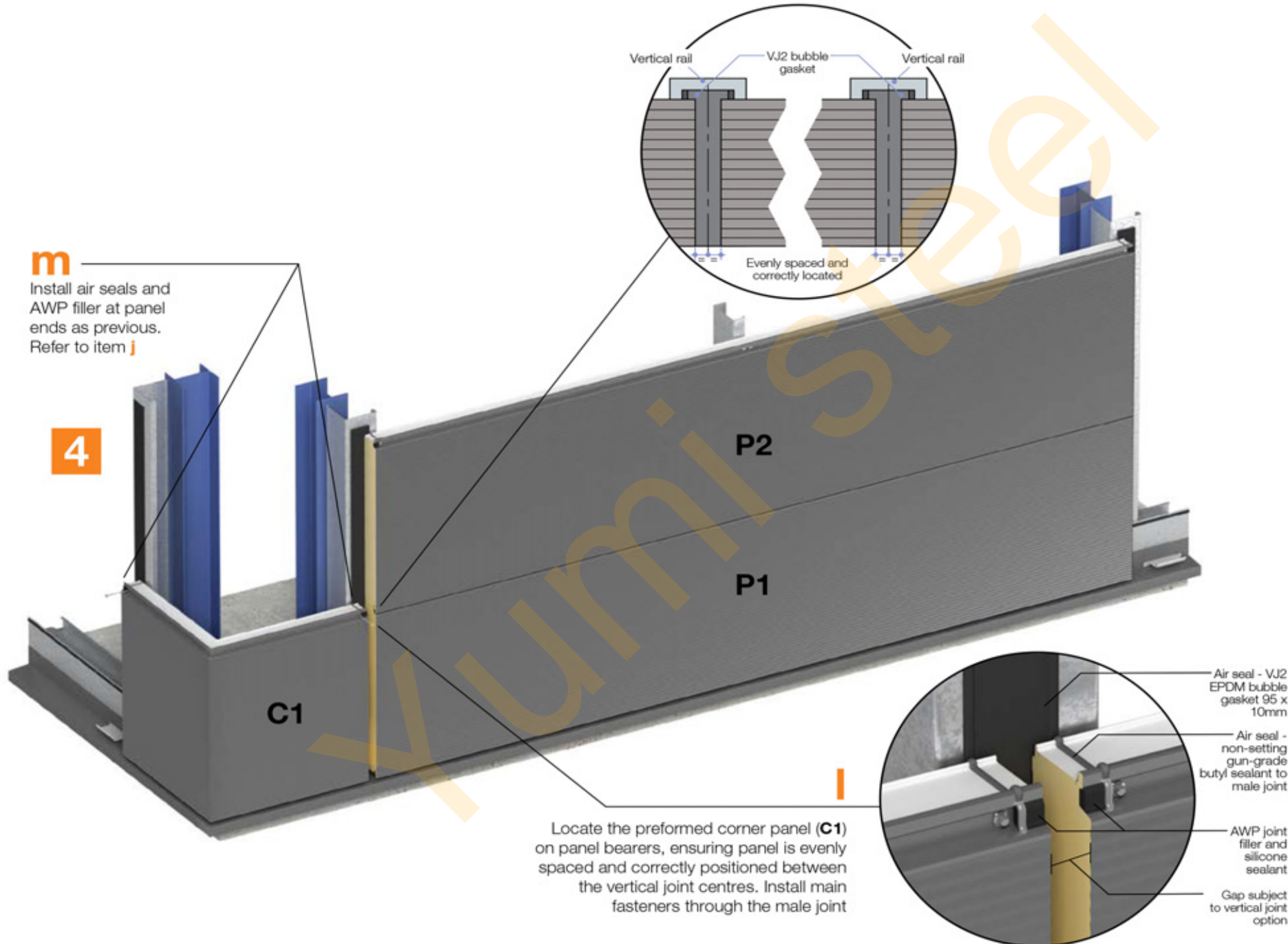


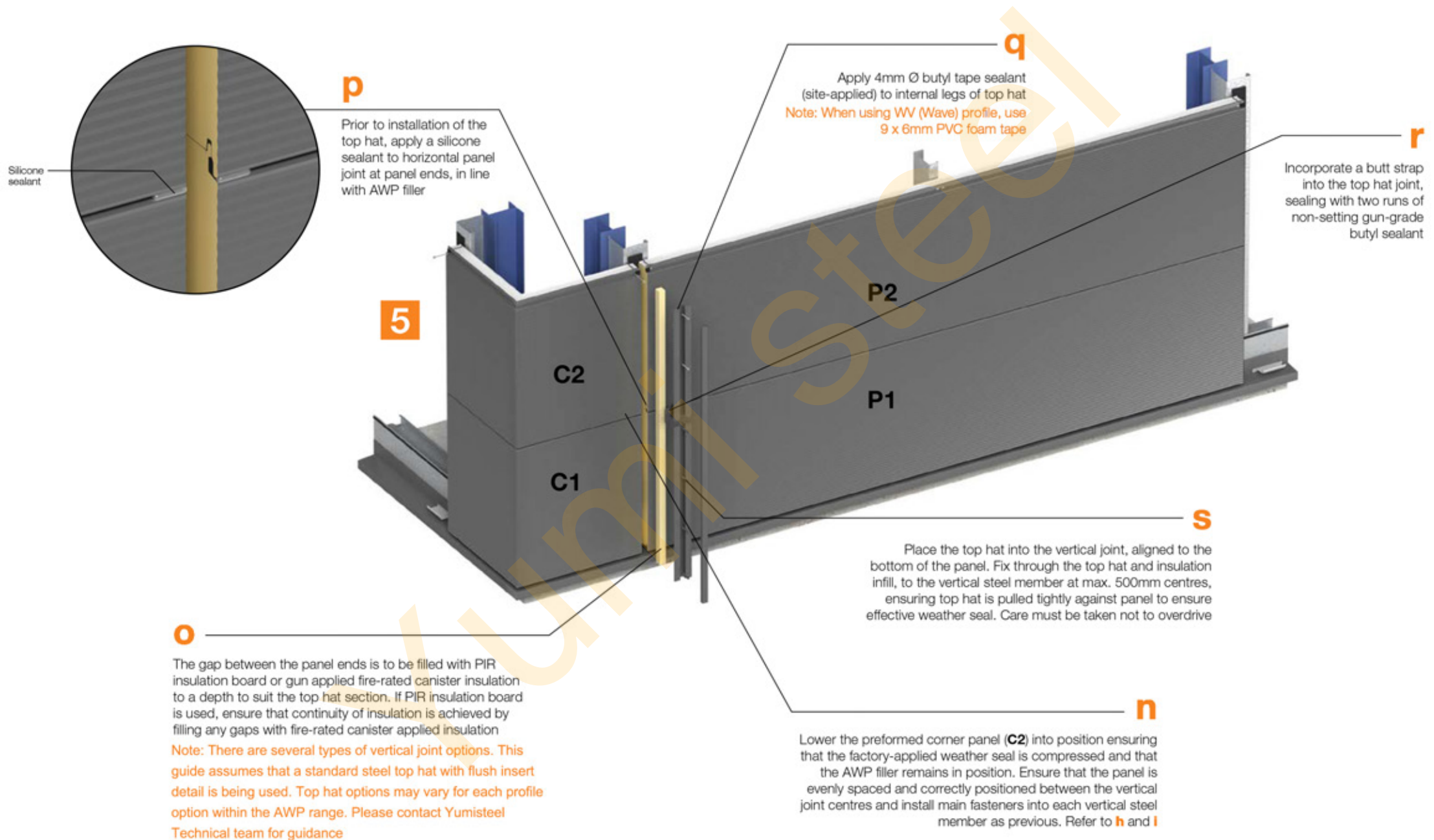
Air seal - VJ2 EPDM bubble gasket 95 x 10mm
Air seal - non-setting gun-grade butyl sealant to male joint

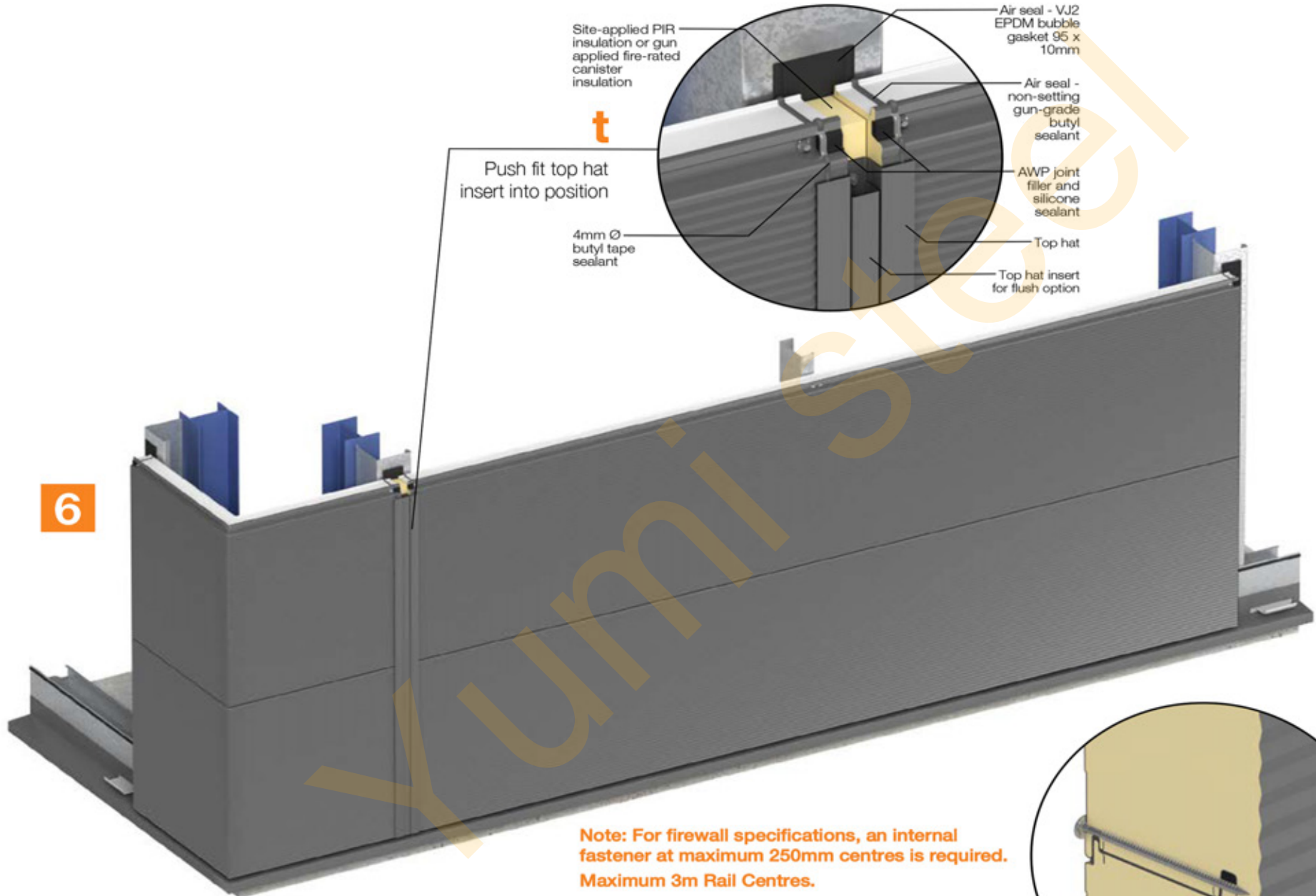
AWP joint filler and silicone sealant



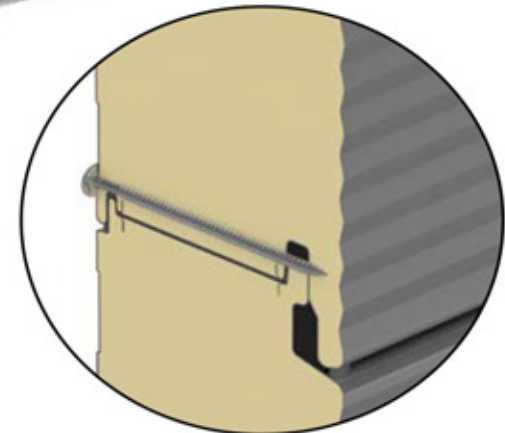
factory-applied weather seal
Run a non-setting gun-grade butyl sealant to male joint
AWP joint filler and silicone sealant





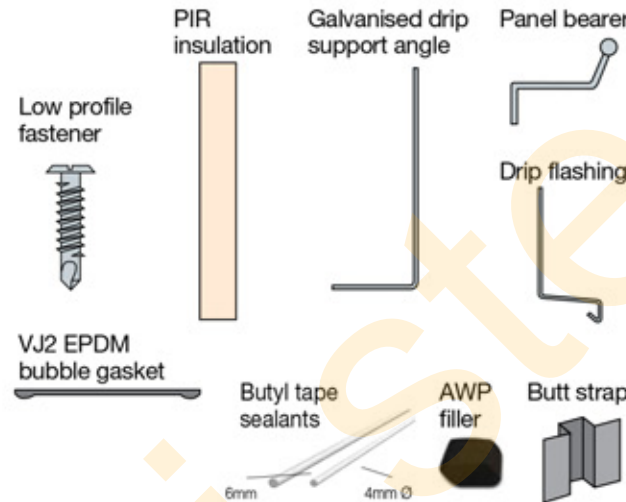
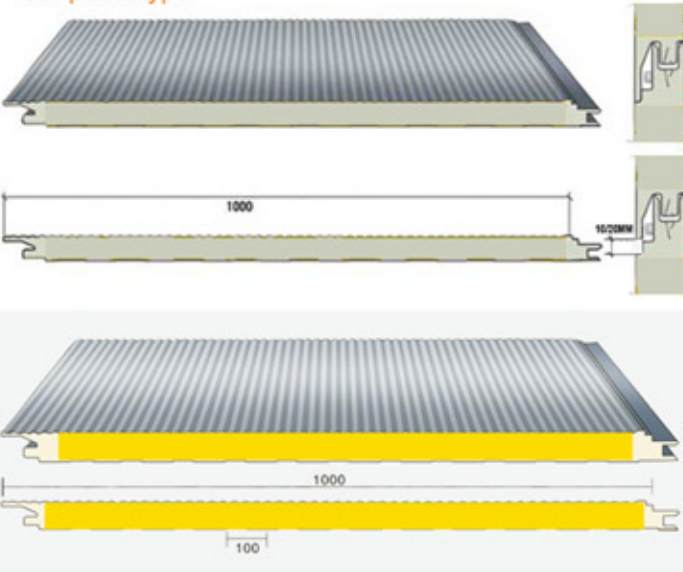


Note: For firewall specifications, an internal fastener at maximum 250mm centres is required. Maximum 3m Rail Centres.

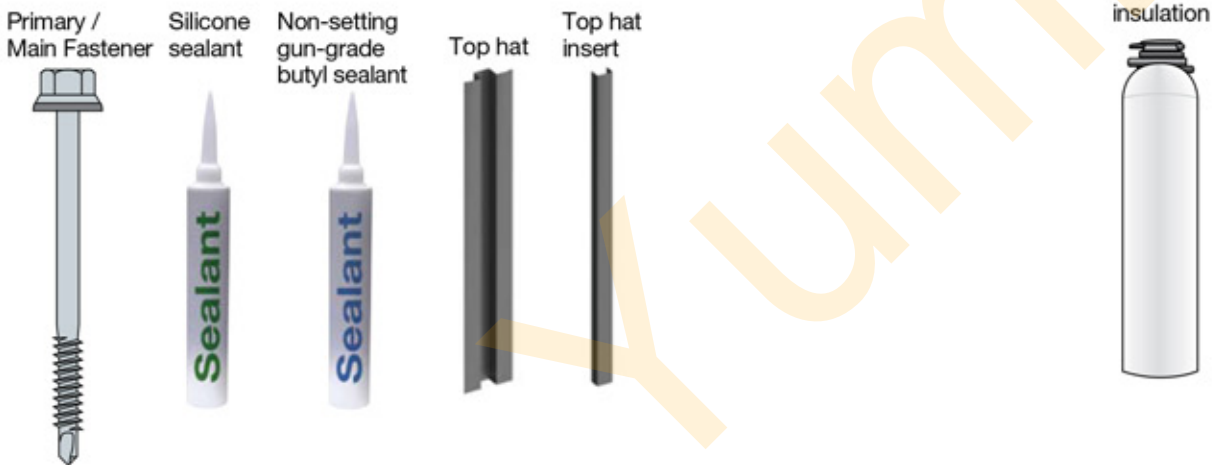


Components:

Wall panel type:



This installation guide should be read in conjunction with the 'project specific' design drawings and method statements. Although this installation guide is deemed to be correct at the time of publication, Yumisteel reserves the right to amend the information at any time in the future. Installation guides are available for most of Yumisteel insulated roof and wall panels.



Note: Panels can be installed in either a tiered or coursed sequence. Visually check internal liner joint to ensure panels are joined fully. Check panel cover width module as works progress to ensure "creep" does not occur, particularly important when windows are incorporated into the elevation. This is a generic AWP installation guide, however details may differ from project to project. Project specific construction details must be used, please contact Yumisteel Technical team for further information.